

LEO 23 GT

Technical Data*

Aerial Work Platform **TEUPEN[®] hyLIFT[®]**



LEO 23 GT

| | |
|--|-------------------------------|
| Working height: | approx. 23,00 m |
| Cage floor height: | approx. 21,00 m |
| Lateral outreach to either side: | approx. 11,20 m |
| Safe load on cage: | max. 200 kgs |
| Size of working cage (LxWxH): | 1,40 x 0,70 x 1,10 m |
| Rotating working cage: | 180° |
| Overall length in travelling position: | min. 6,20 m |
| Minimum clearance width: | min. 0,98 m |
| Overall height in travelling position: | min. 1,98 m |
| Net weight: | approx. 3010 kgs |
| Standard jacked area (centre of plate, LxW): | min. 4,10 m x 4,30 m |
| Min. jacked area (centre of plate): | min. 2,30 m |
| Max. load on jack plate per plate: | approx. 22,4 kN |
| Surface load in standard work position: | approx. 1,8 kN/m ² |
| Range of rotation Standard jacked area: | 360° |
| Limited range of rotation (both sides narrow): | 2 x 15° |
| Limited range of rotation (one side narrow): | 192° |
| Max. ground slope: | approx. 26 % |
| Climbing ability (in direction of traffic): | approx. 30 % |
| (crosswise to direction of traffic): | approx. 26 % |
| Driving speed: | approx. 1,3 km/h |
| Power track: | installed inside |

Driving engine Kubota Z-602

| | |
|--|---------------------|
| Water-cooled-2-Cyl.-4-stroke-diesel-engine | |
| Piston displacement: | 599 cm ³ |
| Max. output at 3600 min ⁻¹ : | 12,5 kW (17 HP) |
| Type of fuel: | Diesel |
| Noise level max.: | approx. 89 dB (A) |

Ancillary equipment

Electricmotor EBS 90 L X 4

| | |
|-------------------------|---------------|
| Nominal input voltage:: | 230 V / 50 Hz |
| Drawing of current: | 12,9 A |
| Output: | 2,2 kW |
| Additional weight: | approx. 25 kg |

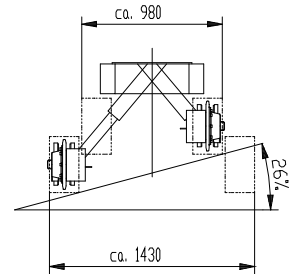
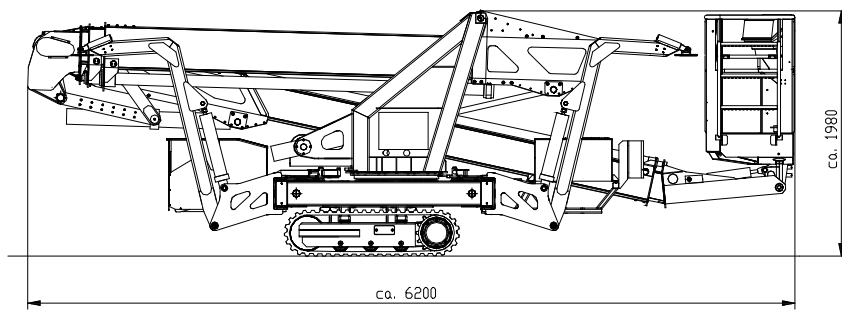
Alternative battery drive

| | |
|---|----------------|
| Nominal input voltage of battery charger: | 230 V / 50 Hz |
| Hydraulic unit: | 48 V / 6 kW |
| Additional weight: | approx. 180 kg |

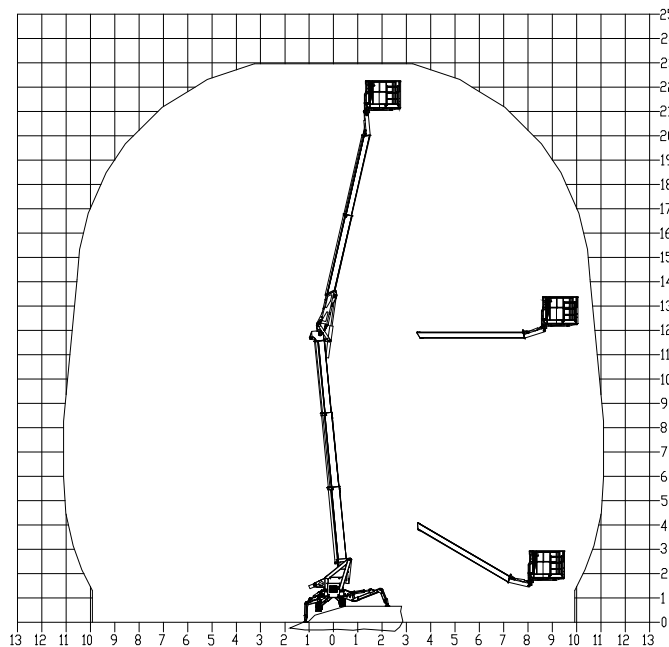
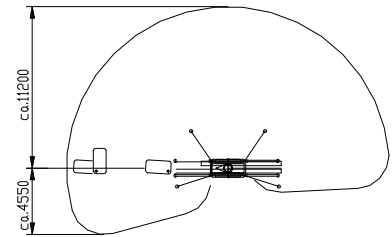
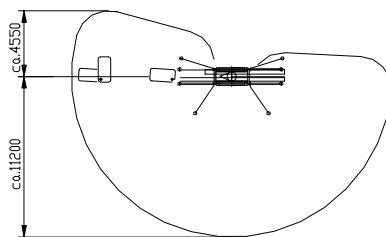
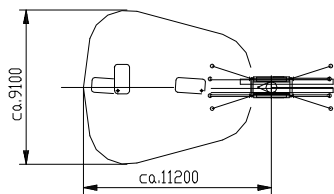
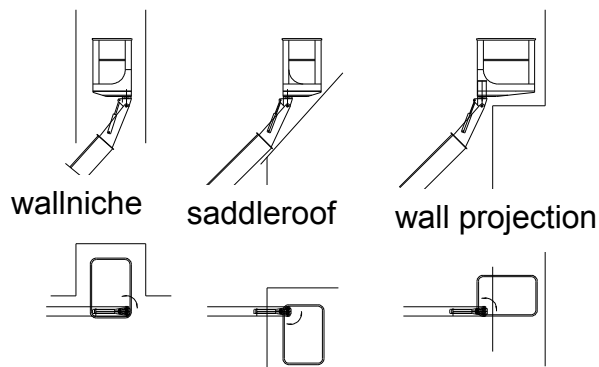
*Technical data with standard equipment!

Alterations in construction reserved!

As at 25.10.07



Examples access technology
 Rotation of basket 180° - offset basket



Alteration in construction reserved!

TEUPEN Maschinenbaugesellschaft mbH

Address: Marie-Curie-Strasse 13 - 48599 Gronau-GERMANY - Phone ++49 / 2562 / 8161-0 - Fax ++49 / 2562 / 8161-888
 P. O. Box: 1951 - 48580 Gronau-GERMANY

Internet: <http://www.teupen.info> - E-mail: mail@teupen.info